

2017

TERA NETWORKING SYSTEM

TERA

Networking Systems



TERA NETWORKING SYSTEM Product Guide

www.teracommunication.com

Thank you for choosing TERA Network Solutions. As TERA's network infrastructure division, we have a 20-year history of exceeding our customers' expectations for high-quality voice and data solutions. Today we offer a complete line-up of copper and fiber products. We customize the products within each of these families to the specific needs of our enterprise, data center, service provider, developer, and government customers. To reflect this extensive range of industry leading solutions, we recently changed our division name to TERA Network Solutions, a more fitting name to address the tremendous scope of our offerings.

It's not just our name that has changed. For this catalog we reorganized the body into all-inclusive copper, fiber, wireless, and multi-dwelling unit (MDU) product family sections. We believe that this new format will make it much easier to find the right systems or products for your needs.

One thing that hasn't changed is our commitment to our customers. TERA's primary goal, as always, is to develop, manufacture, and deliver products that anticipate customer needs. Because we believe it's only through providing the right product, at the right time – in short, satisfying our customers – that we achieve success.

For more than 30 years TERA Manufacturing has enjoyed a rich tradition of innovation in the electrical and electronics industries. All of us at Network Solutions are proud to be part of that tradition, and we look forward to serving your network needs for the next 100 years and beyond. Want to learn more? Turn the page.

Complete IP-Infrastructure Network Solutions

CATALOG CONTENTS

WORK AREA	Page 3
■ MODULES & PLUGS	Page 3
■ FACE PLATES	Page 5
CROSS-CONNECTS COPPER	Page 7
■ PATCH PANELS	Page 7
■ CABLE MANAGERS	Page 11
STRUCTURED CABLING SYSTEM COPPER	Page 13
STRUCTURED CABLING SYSTEM FIBER	Page 15
CORDS & TRUNKS COPPER	Page 17
TERMINATION EQUIPMENT COPPER	Page 19
TOOLS & TESTERS	Page 24
TERMINATION EQUIPMENT FIBER	Page 26
■ PLANAR LIGHTWAVE CIRCUIT SPLITTERS (PLC)	Page 26
■ FIBER OPTICAL TERMINATION BOXES	Page 27
■ FIBER OPTICAL CORDS & PIGTAILS	Page 29
■ FIBER OPTICAL ADAPTORS	Page 31
■ FIBER OPTICAL PATCH PANELS	Page 32
NETWORK CABINETS	Page 33
■ ND RACK CABINET	Page 34
■ WD RACK CABINET	Page 37
SYSTEM CERTIFICATES	Page 40

Deliver voice, data, audio, and video to the desk, the conference table, the classroom, or the lab with TERA workstation products. Solutions include RJ-Ports

Category-rated and A/V connectors, wallplates, surface mount boxes, and the front-loading Outlet System, as well as standard telephone and video wallplates



IDC for RJ45 Keystone Jack

When Order RJ45 Keystone Jack, Please Note The IDC Type Dual IDC Suitable To Be Punched With Both "110" & "Krone" Tool



T-K001
Cat5E RJ45 Keystone Jack
Color: Black or White
110 IDC



T-K006
Cat6 RJ45 Keystone Jack
110 IDC



T-K002
Cat5E RJ45 Keystone Jack
White Color
Krone IDC



T-K007
A: Cat5E RJ45 Keystone Jack
B: Cat6 RJ45 Keystone Jack



T-K003
A: Cat5E RJ45 Keystone Jack
B: Cat3 RJ11(6P4C) Keystone Jack



T-K008
A: Cat5E RJ45 Keystone Jack
B: Cat6 RJ45 Keystone Jack
Dual IDC



T-K004
A: Cat5E RJ45 Keystone Jack
B: Cat6 RJ45 Keystone Jack
Krone IDC



T-K009
A: Cat5E RJ45 Keystone Jack
B: Cat6 RJ45 Keystone Jack
Dual IDC



T-K005
Cat6 RJ45 Keystone Jack
Krone IDC



T-K010
STP RJ45 Keystone Jack
A: Cat5E RJ45 Keystone Jack
B: Cat6 RJ45 Keystone Jack



T-K011
A: Cat.6A STP Keystone Jack
A: Cat.6A UTP Keystone Jack
Toolless Type



T-K018
A: Cat5E RJ45 Keystone Jack
B: Cat6 RJ45 Keystone Jack
Toolless Type



T-K012
A: Cat3
RJ11(6P4C)Keystone Jack
B: Cat3
RJ12(6P6C)Keystone Jack
Dual IDC



T-K013
A: Cat5E RJ45 Keystone
Jack
B: Cat6 RJ45 Keystone Jack
With Dust Cover For Jack
Dual IDC



T-K019
A: Cat.5E STP Keystone
Jack
A: Cat.6 STP Keystone
Jack
Dual IDC



T-K020
A: Cat5E RJ45 Keystone
Jack
B: Cat3
RJ11(6P4C)Keystone
Jack
C: Cat3
RJ12(6P6C)Keystone
Jack
Tooless Type



T-K014
A:Cat.5E STP Keystone
Jack
A:Cat.6 STP Keystone Jack
With Cable Tie on the Back
of Jack



T-K022
A: Cat5E RJ45 Keystone
Jack
B:Cat6 RJ45 Keystone
Jack
Dual IDC



T-K016
A:Cat5E RJ45 Keystone
Jack
B:Cat6 RJ45 Keystone Jack
Krone IDC



T-K023
Cat6 STP RJ45
Keystone Jack



T-K017
A:Cat5E RJ45 Keystone
Jack
B:Cat6 RJ45 Keystone Jack
Dual IDC



T-K024
Cat.3 RJ45 Keystone
Jack
A: 110IDC
B: Screw Type



T-K026
Cat.5E Connection box
Un-Shielded ,black color
Krone IDC block With
colored label
Size:66mm*36mm*26mm



T-K033
A: Cat.5E UTP Inline
Coupler
B: Cat.6 UTP Inline
Coupler



T-K028
Cat.5E RJ45 Inline Coupler



T-K034
A: Cat.5E UTP Inline
Coupler
B: Cat.6 UTP Inline
Coupler



T-K029
Cat.5E Connection box
Shielded,silver color
Krone IDC block,With colored
label
Size:66mm*36mm*26mm



T-K030
Cat.6 Connection box
Shielded,silver color
Krone IDC block
Size:68.5mm*40.5mm*26mm



T-K031
Cat.6 Connection box
Un-Shielded,black color
Krone IDC block
Size:84mm*37mm*23mm



T-K032
A:Cat.5E UTP Inline Coupler
B:Cat.6 UTP Inline Coupler



T-K043
Cat.5E STP RJ45 Surface Jack
Dual Ports



T-P001
Face Plate
A:Single Port
B:Dual Port
Size:86*86mm
Suitable For RJ45 Keystone
Jack



T-P002
Face Plate
A:Single Port
B:Dual Port
Size:86*86mm
Suitable For RJ45 Keystone
Jack



T-P003
Face Plate
A:Single Port
B:Dual Port
Size:86*86mm
Suitable For RJ45 Keystone
Jack



T-K035
Cat.5E RJ45 Surface
Jack Single Port



T-K036
Cat.5E STP Inline
Coupler



T-K039
Cat.5E RJ45 Surface
Jack
Dual Ports



T-K040
Cat.5E STP RJ45
Surface Jack
Single Port



T-P007
Face Plate
A:Single Port B:Dual
Port Size:70*115mm
Suitable For RJ45
Keystone Jack



T-P008
Face Plate
A:3 Port
B:4 Port
Size:70*115mm
Suitable For RJ45
Keystone Jack



T-P009
Plastic Bottom
Item No
Description
T-P009A
A:86*86*36mm
T-P009B
B:70*115*36mm



T-P010
Surface Box
Item No
Description
T-P010A 1 port
surface box
T-P010B 2 port
surface box
Suitable to fix with T-
K008&NT-K017



T-P004
Face Plate
A: Single Port
B: Dual Port
Size:86*86mm
Suitable For RJ45
Keystone Jack



T-P011
Single Port Surface Box
Item No Description
T-P011A Empty (without
RJ45 Jack)
T-P011B With 1PCS RJ45
Jack
Suitable to fix with T-
K008&NT-K017



T-P006
A:22.5*45mm Shutter
B:45*45mm Shutter
Suitable For RJ45
Keystone Jack



T-P012
Dual Port Surface Box
Item No Description
T-P012A Empty (without
RJ45 Jack) T-P012B With
2PCS RJ45 Jack Suitable
to fix with T-K008&NT-
K017



T-FOFP001

Fiber Optical Face Plate features:

Suitable for FTTH and FTTH solution
Adaptor flame retardant ABS and PC material
Tensile strength of drop cable is more than 50 N
Allows more than 0.5 meter redundant fiber
inventory
Designed as seal structure to prevent dust from
entering silk print logo as customer required



T-FOFP002

Fiber Optical Face Plate features:

Suitable for FTTH and FTTH solution
Adaptor flame retardant ABS and PC material
Tensile strength of drop cable is more than 50 N
Allows more than 0.5 meter redundant fiber
inventory
Designed as seal structure to prevent dust from
entering silk print logo as customer required

PATCH PANELS

Cross-Connect

Copper

Choose TERA for all your patch panel needs. We continuously develop new high-quality panels to provide you with the latest technology and ideal configuration for your unique applications.

Our new CAT 5, CAT 6 & CAT 6A 110-style panel is the first in the industry to receive component-rating per ETL verification.

Shielded panels are now offered in multiple flat and angled sizes. The award-winning Zero-U, die-cast aluminum high-density panels, recessed panels for close quarters, and two styles of angled panels round out the industry's largest selection of patch panels.



IDC for Patch Panels

When Order Patch Panel, Please Note The IDC Type Dual IDC Suitable To Be Punched With Both "110"&"Krone"Tool



T-P024A

24 Port Cat.5E Patch Panel
Item No:
T-P024A
110 IDC

Description
24 Port Cat.5E Patch Panel

T-P024B

24 Port Cat.6 Patch Panel
Item No
T-P024B
T-P024C
With Cat.6 RJ45 Jack(T-K006)
110 IDC

Description
24 Port Cat.6 Patch Panel
48 Port Cat.6 Patch Panel

T-P025

48 Port Patch Panel
Item No
T-P025
110 IDC
The Structure of T-P025 is
Same as of T-P024A

Description
48 Port Cat.5E Patch Panel

T-P026

Cat.5E Patch Panel
Item No
T-P026A
T-P026B

Description
24 Port Cat.6 Patch Panel
48 Port Cat.6 Patch Panel



T-P027

Cat.6 Patch Panel
Item No
T-P027A
T-P027B

Description
24 Port Cat.6 Patch Panel
48 Port Cat.6 Patch Panel



T-P028

24 Port STP Modular Patch Panel
Item No T-P028
Suitable to fix with T-K033NT-K034

Description
24 Port STP Modular Patch Panel



T-P029

Cat.5E(Cat.6) Patch Panel
Item No
T-P029A-110
T-P029B-Kr
T-P029C-Dual
T-P029D-110
When order, please select IDC type:110,Krone,Dual

Description
24 Port Cat.5E Patch Panel(110 IDC)
48 Port Cat.5E Patch Panel(Krone IDC)
24 Port Cat.6 Patch Panel(Dual IDC)
48 Port Cat.6 Patch Panel(110 IDC)



T-P030

Cat.5E(Cat.6) Patch Panel
Item No
T-P030A-110
T-P030B-Kr
T-P030C-Dual
T-P030D-110

Description
24 Port Cat.5E Patch Panel(110 IDC)
48 Port Cat.5E Patch Panel(Krone IDC)
24 Port Cat.6 Patch Panel(Dual IDC)
48 Port Cat.6 Patch Panel(110 IDC)



T-P031

Cat.5E(Cat.6) Color Patch Panel
Item No
T-P031A-110
T-P031B-Kr
T-P031C-Dual
T-P031D-110

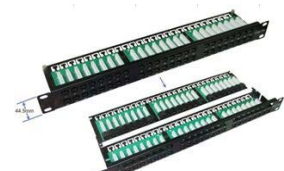
Description
24 Port Cat.5E Patch Panel(110 IDC)
48 Port Cat.5E Patch Panel(Krone IDC)
24 Port Cat.6 Patch Panel(Dual IDC)
48 Port Cat.6 Patch Panel(110 IDC)



T-P032

Cat.5E(Cat.6) Patch Panel
Item No
T-P032A-110
T-P032B-Kr
T-P032C-Dual
T-P032D-110

Description
24 Port Cat.5E Patch Panel(110 IDC)
48 Port Cat.5E Patch Panel(Krone IDC)
24 Port Cat.6 Patch Panel(Dual IDC)
48 Port Cat.6 Patch Panel(110 IDC)



T-P033

48 Port UTP Patch Panel,1U
Item No
T-P033A
T-P033B

Description
48 Port UTP Cat.5E Patch Panel
48 Port UTP Cat.6 Patch Panel



T-P034

Cat.5E(Cat.6) Patch Panel
Item No
T-P034A-110
T-P034B-Kr
T-P034C-Dual
T-P034D-110

Description
24 Port Cat.5E Patch Panel(110 IDC)
48 Port Cat.5E Patch Panel(Krone IDC)
24 Port Cat.6 Patch Panel(Dual IDC)
48 Port Cat.6 Patch Panel(110 IDC)



T-P035

24 Port Modular Patch Panel
Item No
T-P035
Suitable to fix with T-K004/NT-K005/ T-K006/T-K009/NT-K033/T-K034

Description
24 Port Modular Patch Panel



T-P036

24 Port Modular Patch Panel
Item No
T-P036
Suitable to fix with T-K004/T-K005/ T-K006/T-K009/T-K033/T-K034

Description
24 Port Modular Patch Panel



T-P037/38

Cat.5E(Cat.6) STP Patch Panel
Item No
T-P037A
T-P037B
T-P038A
T-P038B

Description
8 Port Cat.5E STP Patch Panel
8 Port Cat.6 STP Patch Panel
12 Port Cat.5E STP Patch Panel
12 Port Cat.6 STP Patch Panel



T-P039

24 Port STP Cat.5E(Cat.6) Patch Panel
Item No
T-P039A
T-P039B

Description
24 Port STP Cat.5E STP Patch Panel
24 Port STP Cat.6 STP Patch Panel



T-P040

24 Port UTP Patch Panel,0.5U
Item No
T-P040A
T-P040B

Description
24 Port UTP Cat.5E STP Patch Panel
24 Port UTP Cat.6 STP Patch Panel



T-P041

50 Port Cat.3 Telephone Patch Panel
Item No
T-P041

Description
50 Port Cat.3 Telephone Patch Panel



T-P043

16 Port Patch Panel
Item No
T-P043A
T-P043B
110,Dual Krone

Description
16 Port Cat.5E Patch Panel
16 Port Cat.6 Patch Panel



T-P044

32 Port Patch Panel
Item No
T-P044A
T-P044B
110,Dual Krone

Description
32 Port Cat.5E Patch Panel
32 Port Cat.6 Patch Panel



T-P045

12 Port Patch Panel
Item No
T-P045A
T-P045B
110,Dual Krone

Description
12 Port Cat.5E Patch Panel
12 Port Cat.6 Patch Panel



T-P046

10 Inch 12 Port Patch Panel
Item No
T-P046A-110
T-P046A-Dual
T-P046B-110
T-P046B-Dual

Description
12 Port Cat.5E Patch Panel
12 Port Cat.5E Patch Panel
12 Port Cat.6 Patch Panel
12 Port Cat.6 Patch Panel



T-P047

12 Port Wall-Mount Patch Panel
Item No
T-P047A
T-P047B

Description
12 Port Cat.5E Patch Panel
12 Port Cat.6 Patch Panel



T-P048

19 Inch Wiring Panel
Item No
T-P048A
T-P048B
With 4&5 Pairs 110 IDC

Description
100 Pairs(1U)
200 Pairs(2U)



T-P049

Wiring Block(110 Type)
Item No
T-P049A
T-P049B
With Label Holder
With 4&5 Pairs 110 IDC

Description
50 Pairs(1U)
100 Pairs(2U)



T-P050

Wiring Block-110 Type(Without Legs)
Item No
T-P050A
T-P050B
With Label Holder
With 4&5 Pairs 110 IDC

Description
50 Pairs(1U)
100 Pairs(2U)



T-P052

24 Port Angle Patch Panel
Item No
T-P052A
T-P052B

Description
Cat5e UTP Angle Patch Panel
Cat6 UTP Angle Patch Panel




T-P053

24 Port With dust cover patch panel
Item No
T-P053A
T-P053B
With dust cover

Description
Cat5e UTP Modular Patch Panel
Cat6 UTP Modular Patch Panel

Cable Manager

	T-M001	Cable Manager Item No T-M001A T-M001B	Description With 4Pcs Mental Ring With 5Pcs Mental Ring
	T-M002	Cable Manager Item No T-M002A T-M002B	Description With Mental Cover With Plastic Cover
	T-M003	Cable Manager Item No T-M003	Description Cable Manager
	T-M004	Cable Manager Item No T-M004	Description Cable Manager
	T-M006	Cable Manager Item No T-M006 With Metal Cover	Description 2U Cable Manager
	T-M007	Cable Manager Item No T-M007 With Metal Cover	Description Cable Manager
	T-M009	Cable Manager Item No T-M009 With 4 Pcs Metal Ring	Description 2U Cable Manager



T-M010

Cable Manager
Item No
T-M010
With 5 Pcs Metal Ring

Description
Cable Manager



T-M013

Wiring Manager
Item No
T-M013

Description
Wiring Manager



T-M014

19 Inch Wiring Manager
Item No
T-M014

Description
19 Inch Wiring Manager



T-M015

19 Inch Cable Manager
With Brush



T-M016

19 Inch Cable Manager,1U Plastic



T-M017

19 Inch Cable Manager,2U Plastic



T-M018

19 Inch Cable Manager,2U Plastic

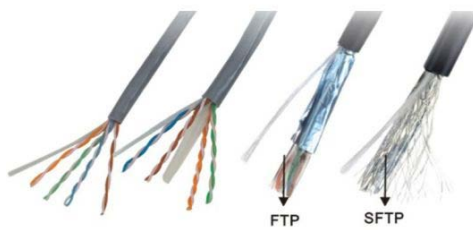
HORIZONTAL CABLING

The TERA Copper Horizontal Cable meets or exceeds Category 5, 5e, 6 & 6A /Class E attenuation and NEXT requirements in ISO/IEC 11801, CENELEC EN50173 and ANSI/TIA-568-C.2. Further, these cables are ETL listed as Category 6.

The TERA cables feature a patent-pending thin and easy-to-remove bisector tape that delivers the performance benefits of more traditional fluted center members without the associated stiffness and size. TERA cable is composed of solid copper conductors insulated with non-halogen high-density polyethylene and jacketed with a PVC and LSZH compound.

Structured
Cabling System

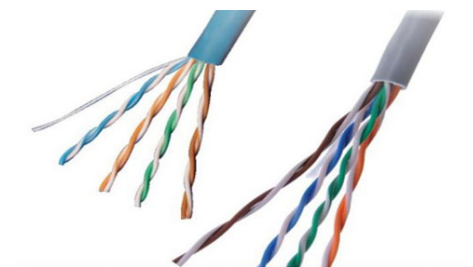
Copper



T-C001

Item No
T-C001(Solid)
T-C001A(Stranded)
T-C001B(Solid)
T-C001C(Solid)
T-C001D(Solid)
Comply With ISO/IEC
11801&ANSI/TIA/EIA-568-B
Package:305M/Box

Description
Cat.5E UTP Solid Cable
Cat.5E UTP Stranded Cable
Cat.6 UTP Solid Cable
Cat.5E FTP Solid Cable
Cat.5E SFTP Solid Cable



T-C002

Item No
T-C002A(Solid)
T-C002B(Stranded)
Comply With ISO/IEC
11801&ANSI/TIA/EIA-568-B
Package:305M/Box

Description
Cat.5E UTP Solid Cable
Cat.5E UTP Stranded Cable



T-C003

Item No
T-C003A(Solid)
T-C003B(Stranded)
Comply With ISO/IEC
11801&ANSI/TIA/EIA-568-B
Package:305M/Box

Description
Cat.5E FTP Solid Cable
Cat.5E FTP Stranded Cable



T-C004

Item No
T-C004A(Solid)
T-C004B(Stranded)
Comply With ISO/IEC
11801&ANSI/TIA/EIA-568-B
Package:305M/Box

Description
Cat.5E SFTP Solid Cable
Cat.5E SFTP Stranded Cable



T-C005

Item No
T-C005A(Solid)
T-C005B(Stranded)
Comply With ISO/IEC
11801&ANSI/TIA/EIA-568-B
Package:305M/Box

Description
Cat.6 UTP Solid Cable
Cat.6 UTP Stranded Cable



T-C006

Item No
T-C006A(Solid)
T-C006B(Stranded)
Comply With ISO/IEC
11801&ANSI/TIA/EIA-568-B
Package:305M/Box

Description
Cat.6 FTP Solid Cable
Cat.6 FTP Stranded Cable



T-C007

Item No
T-C006A(Solid)
T-C006B(Stranded)
Comply With ISO/IEC
11801&ANSI/TIA/EIA-568-B
Package:305M/Box

Description
Cat.6 SFTP Solid Cable
Cat.6 SFTP Stranded Cable



T-C008

Item No
T-C008A 25 Pairs Cat.5E
T-C008B 50 Pairs Cat.5E
T-C008C 100 Pairs Cat.5E
T-C008D 200Pairs Cat.5E

Description
Telecommunication Cable
Telecommunication Cable
Telecommunication Cable
Telecommunication Cable



T-C009

Item No
T-C009A 25 Pairs Cat.3
T-C009B 50 Pairs Cat.3
T-C009C 100 Pairs Cat.3
T-C009D 200Pairs Cat.3

Description
Telecommunication Cable
Telecommunication Cable
Telecommunication Cable
Telecommunication Cable

HORIZONTAL CABLING (Fiber Optics)

TERA all dry outside plant stranded loose tube cables deliver the same proven quality and performance offered in all TERA cabling solutions. The armored and all-dielectric designs are suitable for direct buried, aerial and conduit applications. The construction features the use of dry water blocking elements and reduced diameter buffer tubes, yielding a light weight, smaller cable. The result is a fiber optic cable that is an ideal transmission medium for the outside plant environment.

These designs are available with any of the high performance TERA fiber types, including Tera Zero Water Peak singlemode fiber and the TERA multimode fibers. The standard jacket material is Medium Density Polyethylene (MDPE), with an optional High Density Polyethylene (HDPE) jacket available. Additionally, the fiber and buffer tubes are color coded for easy identification.

Structured
Cabling System

Fiber



T-GYFT53

Item No
 T-GYFT53-4 MM OM2
 T-GYFT53-8 MM OM2
 T-GYFT53-12 MM OM2
 T-GYFT53-14:144 MM OM2

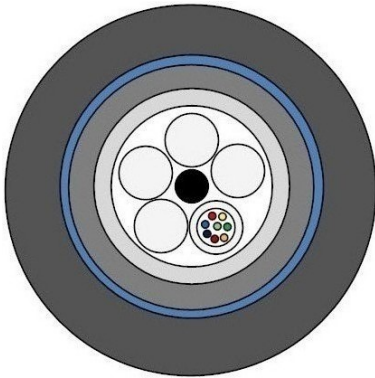
Description
 In/Out 4-Core 50/125 OM2 MM
 In/Out 8-Core 50/125 OM2 MM
 In/Out 12-Core 50/125 OM2 MM
 In/Out 14:144-Core 50/125 OM2 MM



T-GYFT53

Item No
 T-GYFT53-4 MM OM3
 T-GYFT53-8 MM OM3
 T-GYFT53-12 MM OM3
 T-GYFT53-14:144 MM OM3

Description
 In/Out 4-Core 50/125 OM3 MM
 In/Out 8-Core 50/125 OM3 MM
 In/Out 12-Core 50/125 OM3 MM
 In/Out 14:144-Core 50/125 OM3 MM



Item No
T-GYFTY53-4 SM OS1
T-GYFTY53 T-GYFTY53-8 SM OS1
T-GYFTY53-12 SM OS1
T-GYFTY53-14:144 SM OS1

Description
In/Out 4-Core 9/125 OS1 SM
In/Out 8-Core 9/125 OS1 SM
In/Out 12-Core 9/125 OS1 SM
In/Out 14:144-Core 9/125 OS1
SM

PATCH CORDS

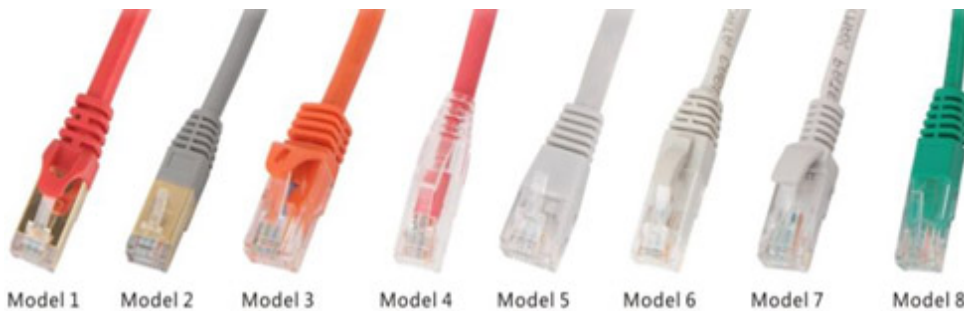
Cords & Trunks

Copper

TERA Patch Cords are available in standard and Slim-Line configurations, and in category ratings from CAT 6A to CAT 5e. With flexible stranded wire for long-term channel integrity

TERA Patch Cords provide the consistent transmission you need for custom configurations and fast, simple installations.

The TERA Modular Patch Cord comes in a wide variety of variation which includes plenum, Low Smoke Zero Halogen (LSZH), stranded conductors, solid conductors, straight through wiring, crossover wiring and rollover wiring to meet different application needs.



T-PC001

Cat.5E Patch Cord
Item No
T-PC001A
T-PC001B
Color of Cable: Grey, Blue, Red,
Yellow, Green...
Length of Cable: 0.5M, 1M, 3M,
5M...

Description
Cat.5E UTP Patch Cord
Cat.5E FTP Patch Cord



T-PC002

Cat.6 Patch Cord
Item No
T-PC002A
T-PC002B
Color of Cable: Grey, Blue, Red,
Yellow, Green...
Length of Cable: 0.5M, 1M, 3M,
5M...

Description
Cat.6 UTP Patch Cord
Cat.6 FTP Patch Cord



T-PC003

Cat.6A Patch Cord
Item No
T-PC003
Color of Cable: Grey, Blue, Red,
Yellow, Green...
Length of Cable: 0.5M, 1M, 3M,
5M...

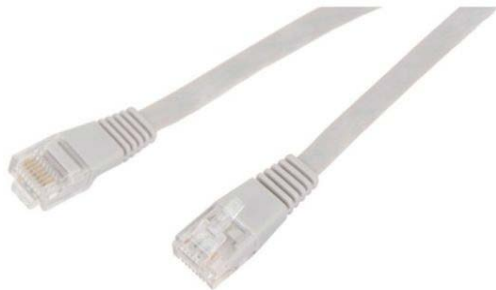
Description
Cat.6A Patch Cord



T-PC004

Cat.7 Patch Cord
Item No
T-PC004
Color of Cable: Grey, Blue, Red,
Yellow, Green...
Length of Cable: 0.5M, 1M, 3M,
5M...

Description
Cat.7 Patch Cord



T-PC005

Flat Patch Cord
Item No
T-PC005A
T-PC005B
Color of Cable: Grey, Blue, Red,
Yellow, Green...
Length of Cable: 0.5M, 1M, 3M,
5M...

Description
Cat.5E Flat Patch Cord
Cat.6 Flat Patch Cord

110-Style Wiring Products

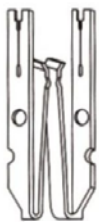
Dependable, flexible and cost-effective, TERA 110-Style and 66-Block Cross Connect products are ideal for telecommunications closets and distribution frames.

110-Style Wiring Blocks are available in CAT 6/5e and newly added CAT 6A, and can be mounted to the wall or plywood backboard. Rack-mount solutions are also available.

Termination
Equipment

Copper

The Technical Specification Of Telecommunication Module:



Contact Of Disconnection Module

- * Diaulation Diameter Of Wire Coductor: 0.4-0.7mm
- * Insulation Diameter Of Wire: 0.7-1.4mm
- * Contact Material: Phosphor Bronze (Silver Plated)
- * Plastic Housing Material: ABS or PBT



Contact Of Connection Module

- * Insulation Resistance: 105mΩ Minimum
- * Bridge Contact Resisatance: 7mΩ Maximum
- * Wire Contact Resistance: 3mΩ Maximum
- * Dielectric Strength: 2KV Minimum



T-D001

10 Pairs Disconnection & Connection Module

Item No
T-001A-PBT
T-001A-ABS
T-001B-PBT
T-001B-ABS

• Plastic Material: "PBT" Or "ABS"

Description

10 Pairs Disconnection Module (PBT)
10 Pairs Disconnection Module (ABS)
10 Pairs Connection Module (PBT)
10 Pairs Connection Module (ABS)



T-D004

8 Pairs Disconnection & Connection Module

Item No
T-004A-PBT
T-004A-ABS
T-004B-PBT
T-004B-ABS

• Plastic Material: "PBT" Or "ABS"

Description

8 Pairs Disconnection Module (PBT)
8 Pairs Disconnection Module (ABS)
8 Pairs Connection Module (PBT)
8 Pairs Connection Module (ABS)



T-D006

10 Pairs Disconnection & Connection Module (Color Coded)

Item No
T-006A-PBT
T-006A-ABS
T-006B-PBT
T-006B-ABS

• Plastic Material: "PBT" Or "ABS"

Description

10 Pairs Disconnection Module
10 Pairs Disconnection Module
10 Pairs Connection Module
10 Pairs Connection Module



T-D007

10 Pairs Disconnection & Connection Module

Item No
T-007A-PBT
T-007A-ABS
T-007B-PBT
T-007B-ABS

• Plastic Material: "PBT" Or "ABS"

Description

10 Pairs Disconnection Module (PBT)
10 Pairs Disconnection Module (ABS)
10 Pairs Connection Module (PBT)
10 Pairs Connection Module (ABS)



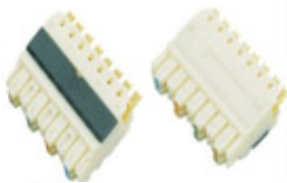
T-D015

10 Pairs Module(Pouted Type)

Item No
T-D015

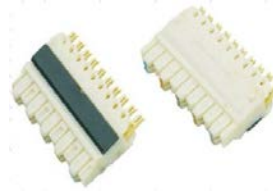
Description

10 Pairs Disconnection Module



T-D016

4 Pairs Connecting Block



T-D017

5 Pairs Connecting Block



T-D018

2 M Bit Disconnection Module

Item No
T-D018

Description

With Wire Guide &Label Holder



T-D019

10 Pairs Disconnection Module

Item No
T-D019

Description

10 Pairs Disconnection Module (Right-Angle)



T-D023

Mounting Frame

Item No
T-D023A
T-D023B

Description

With 9 Way Frame
With 15 Way Frame



T-D024

Mounting Frame

Item No
T-D024A
T-D024B

Description

With 15 Way Frame
With 9 Way Frame



T-D025

Mounting Frame
Item No
T-D025A
T-D025B

Description
With 9 Way Frame
With 15 Way Frame



T-D027

110 Plug
Item No
T-D027A
T-D027B
T-D027C

Description
1 Pairs Plug
2 Pairs Plug
4 Pairs Plug



T-D028

Test Cable With Alligator Clip
Item No
T-D028A
T-D028B

Description
2 Pole Test Cable With Alligator Clip
4 Pole Test Cable With Alligator Clip
Length: 1.5M



T-D029

Test Cable With Modular Plug
Item No
T-D029A
T-D028B

Description
2P Test Cable With 6P2C Plug
4P Test Cable With 6P2C Plug
Length: 1.5M



T-D030

3 Pole Arrester Magazine
Item No
T-D030A
T-D030B
T-D030C
T-D030D
T-D030E
T-D030F

Description
10 Pair(Without Arrester)
8 Pair(Without Arrester)
5 Pair(Without Arrester)
10 Pair(With 10pcs Arrester)
8 Pair(With 8pcs Arrester)
5 Pair(With 5pcs Arrester)



T-D031

2 Pole Arrester Magazine
Item No
T-D031A
T-D031B
T-D031C
T-D031D
T-D031E
T-D031F

Description
10 Pair(Without Arrester)
8 Pair(Without Arrester)
5 Pair(Without Arrester)
10 Pair(With 20pcs Arrester)
8 Pair(With 16pcs Arrester)
5 Pair(With 10pcs Arrester)



T-D032

1 Pair Protect Unit
Item No
T-D032

Description
Protect Unit

	<p>Distribution Box For STB Module Item No T-D041 T-D041A T-D041B T-D041C</p>	<p>Description Without STB Module(Empty) With 2 PCS STB Module (T-D039) With 2 PCS STB Module (T-D040)</p>
	<p>Distribution Box For STB Module Item No T-D042 T-D042A T-D042B T-D042C</p>	<p>Description Without STB Module(Empty) With 2 PCS STB Module (T-D039) With 2 PCS STB Module (T-D040)</p>
	<p>Distribution Box For STB Module Item No T-D043 T-D043A T-D043B T-D043C</p>	<p>Description Without STB Module(Empty) With 2 PCS STB Module (T-D039) With 2 PCS STB Module (T-D040)</p>
	<p>Distribution Box For STB Module Item No T-D045A T-D045B T-D045C T-D045D T-D045E Water Proof Type</p>	<p>Description Without STB Module(Empty) With 10 PCS STB Module (T-D039) With 10 PCS STB Module (T-D040) With 20 PCS STB Module (T-D039) With 20 PCS STB Module (T-D040)</p>
	<p>Outdoor Box For STB Module Item No T-D046A T-D046B T-D046C Water Proof Type</p>	<p>Description Without STB Module(Empty) With 10 PCS STB Module (N-D039) With 10 PCS STB Module (N-D040)</p>
	<p>10 Pairs Distribution Box with Module Item No T-D050</p>	<p>Description 10 Pairs Distribution Box with Module Size: L=163mm,W=85mm,H=35mm Plastic Material: ABS</p>
	<p>Distribution Box Item No T-D053A T-D053B</p>	<p>Description 30 Pairs 50 Pairs Size: L=175mm,W=165mm,H=75mm Plastic Material: ABS</p>



T-D056

100 Pairs Distribution Box
Item No
T-D056

Description
Key lock type
Size: L=275mm,W=205mm H=105mm
Plastic Material: ABS



T-D057

300 Pairs Distribution Box
Item No
T-D057

Description
300 Pairs Distribution Box
Key or Screw Lock Type are Optional
Plastic Material: ABS



T-D061

50 Pairs Distribution Box
Item No
T-D061A
T-D061B

Description
Key lock type
Screw lock type
Size: L=195mm,W=195mm H=85mm
Waterproof type
Suitable For indoor and outdoor



T-D066

Distribution Metal Box (Wall-mount Type)
Item No
T-D066A
T-D066B
T-D066A
T-D066A
T-D066A
T-D066A
T-D066A
T-D066A

Description
100 Pairs (L=380mm,W=280mm,H=130mm)
200 Pairs (L=500mm,W=450mm,H=130mm)
300 Pairs (L=600mm,W=450mm,H=130mm)
400 Pairs (L=700mm,W=450mm,H=130mm)
600 Pairs (L=900mm,W=450mm,H=130mm)
1000 Pairs (L=700mm,W=1000mm,H=130mm)
1200 Pairs (L=900mm,W=1000mm,H=130mm)
The Metal Box are used to be mounted on the wall
The metal material: Cold Rolled Steel

TOOLS & CABLE TESTERS

TERA has everything you need to terminate and test our copper solutions. The new Termination Tool, designed by and for installers, offers comfort-grip or rackmounted positioning for termination, a sturdy connector holder, and a wire-supporting retainer. The Wire Punchdown Tool enables one-step punchdown of 110-Style or 66 Connecting Block IDCs with a single push on the handle. Specialized termination tools, test equipment, crimping tools, and other accessories complete the collection.



T-T026
For 0.2-6mm Wire
Wire Stripper



T-T030
Optical Covered Wire
Cable Stripper
Applicable 3.1*2.0mm Cable
The Diameter is 125 um The
Coating layer Diameter is 250 um



T-T027
RJ45 Crimp Tool
For 8P



T-T004
Punch TOOL
With 110 Blade



T-T028
Punch Tool
A:For 5 Pairs 110IDC
B:For 4 Pairs 110IDC



T-T032
Fiber Stripper
Used for coating layer
(250um-500um Type)
and buffer layer(900um)
The second hole can be used for
stripping 3 mm pigtail outer
sheath
Incision lock can in the closed state
when not in use



T-T008

Universal Stripper & Cutter
For UTP/STP & Multi conductor
Cable Form:3-2-9mm



T-T041

Network Cable Tester
Item No
T-T041
Test Lan Cable (UTP,STP) Test
BNC, Telephone Cable
Power supplied by 4*1.5V Battery

Description
With Voice Function



T-T042

Cable Tester (For Multi-Pairs Cable)
The parts of Emitter
1,Ports of RJ11 Jack
2,Ports of RJ45 Jack
3,Function of Switch
4.Power LED Indicator
5.Status LED Indicator
Function of Tester
1,Detect and find 1 pair cable form one end to the other end among Multi-pairs cable
2,Testing the Communication Cable
3,Testing Telephone Patch Cord
4,Testing Lan Patch Cord
Battery for Emitter and Receiver:9V

The parts of Receive
1,Ports of RJ45 Jack
2,Function of Switch
3.Power LED Indicator
4.Status LED Indicator
5,LoudSpeakr

Fiber Termination Equipment Products

TERA has everything you need to properly terminate your fiber network. F.O. connectors are available in LC, SC, and ST styles. To extend fiber to the workstation, we also offer footprint fiber adapters that fit into our standard wallplates and Multimedia Outlet System (MOS) housings.

See the Copper Work Area section for copper workstation connectivity products, including connectors and an expanded wallplates selection.

Termination
Equipment

Fiber

Planar Lightwave Circuit Splitter (PLC)



T-PLC001 Bare PLC Splitter

Profile Size (Unit: mm)

Size	1*2	1*4	1*8	1*16	1*32	1*64	2*2	2*4	2*8	2*16	2*32
L	40	40	40	50	50	60	40	50	50	50	60
H	4	4	4	7	7	12	4	4	4	7	7
W	4	4	4	4	4	4	4	4	4	4	4



T-PLC002 PLC Splitter with Fan-out

Profile Size (Unit: mm)

Size	1*2	1*4	1*8	1*16	1*32	1*64	2*2	2*4	2*8	2*16	2*32
L	40	40	40	50	50	60	40	50	50	50	60
H	4	4	4	7	7	12	4	4	4	7	7
W	4	4	4	4	4	4	4	4	4	4	4



T-PLC003 Mini Module PLC Splitter

Profile Size (Unit: mm)

Size	1*2	1*4	1*8	1*16	1*32	1*64	2*2	2*4	2*8	2*16	2*32
L	60	60	60	60	80	100	60	60	60	60	80
H	7	7	7	12	20	40	7	7	7	12	20
W	4	4	4	4	6	6	4	4	4	4	6



T-PLC004 Bare PLC Splitter

Profile Size (Unit: mm)

Size	1*2	1*4	1*8	1*16	1*32	1*64	2*2	2*4	2*8	2*16	2*32
L	90	100	100	120	120	140	100	100	100	120	120
H	20	80	80	80	80	114	80	80	80	80	80
W	9	9	9	18	18	18	9	9	9	18	18



T-PLC005 PLC Splitter LGX Box

Profile Size (Unit: mm)

Size	1*2	1*4	1*8	1*16	1*32	2*2	2*4	2*8	2*16
L	130	130	130	130	267	130	130	130	130
H	100	100	100	100	100	100	100	100	100
W	25	25	25	50	50	25	25	50	50



T-PLC006 PLC Splitter Rack-Mount

Profile Size (Unit: mm)

Size	1*2	1*4	1*8	1*16	1*32	1*64	2*2	2*4	2*8	2*16	2*32
L	431.5	431.5	431.5	431.5	431.5	431.5	431.5	431.5	431.5	431.5	431.5
H	250	250	250	250	250	250	250	250	250	250	250
W	44	44	44	44	44	44	44	44	44	44	44



T-PLC007 PLC Splitter Tray

Profile Size (Unit: mm)

Size	1*2	1*4	1*8	1*16	1*32	1*64	2*2	2*4	2*8	2*16	2*32
L	300	300	300	300	300	300	300	300	300	300	300
H	133.5	133.5	133.5	133.5	133.5	133.5	133.5	133.5	133.5	133.5	133.5
W	25	25	25	25	50	100	25	25	25	25	25

Fiber Optical Termination Box



T-FTB001



T-FTB004



T-FTB002



T-FTB005



T-FTB003



T-FTB006

T-FTB Fiber Termination Box Specifications						
Type	T-FTB001	T-FTB002	T-FTB003	T-FTB004	T-FTB005	T-FTB006
Length*Width*Height	250*215*75	345*275*100	420*325*130	345*275*100	340*265*126	340*265*126
Material Panel	SMC SC/FC/ST	SMC SC/FC/ST	SMC SC/FC/ST	SMC SC/FC/ST	SMC SC/FC/ST	(Cold rolled steel) SC/FC/ST



T-FOSC-H001

Horizontal Fiber Optical Splice Closure Features:

High quality PC,ABS.PPR material optional ,can endure harsh conditions such as vibration ,impact, tensile cable distortion and strong temperature changes

Tray can be increased or reduced according to the application
Solid structure, perfect online, thunder erosion and adding resistance
Strong and reasonable structure with mechanical sealing structure can be opened after sealing can be reused



T-FOSC-H002

Well water and dust proof, unique grounding device to ensure the sealing performance.

convenient for installation

Dome Fiber Optical Splice Closure Features:

High quality PC,ABS.PPR material optional, can endure harsh conditions such as vibration ,impact, tensile cable distortion and strong temperature changes

Tray can be increased or reduced according to the application
Cylinder structure, perfect online, thunder erosion and adding resistance



T-FOSC-D001

Strong and reasonable structure with mechanical sealing structure can be opened after sealing can be reused

Well water and dust proof, unique grounding device to ensure the sealing performance. convenient for installation

Fiber Optical Patch Cord & Pigtail

T-FOPC001

SC Standard Fiber Optic Patch Cord



T-FOPC002

LC Standard Fiber Optic Patch Cord



T-FOPC003

FC Standard Fiber Optic Patch Cord



T-FOPC004

ST Standard Fiber Optic Patch Cord



T-FOPC005

MU,MPO,E2000 Fiber Optic Patch Cord



T-FOPT

SC/LC/FC/ST Pigtail



Specifications
Type

	PC	SM	UPC	ABC	MM
Insert Loss	$\leq 0.30\text{dB}$	$\leq 0.30\text{dB}$	$\leq 0.30\text{dB}$	$\leq 0.30\text{dB}$	$\leq 0.20\text{dB}$
Return Loss	$\geq 45\text{dB}$	$\geq 50\text{dB}$	$\geq 50\text{dB}$	$\geq 60\text{dB}$	
Repeatability		$\leq 0.20\text{dB}$	$\leq 0.20\text{dB}$		
Exchangeability		$\leq 0.20\text{dB}$	$\leq 0.20\text{dB}$		
Resistance (≥ 1000 times)		$\leq 0.20\text{dB}$	$\leq 0.20\text{dB}$		
Industry Standard	ROHS,IEC,GR-326	ROHS,IEC,GR-326	ROHS,IEC,GR-326	ROHS,IEC,GR-326	
Operating Temperature	$-40^{\circ}\text{C}\sim+85^{\circ}\text{C}$	$-40^{\circ}\text{C}\sim+85^{\circ}\text{C}$	$-40^{\circ}\text{C}\sim+85^{\circ}\text{C}$	$-40^{\circ}\text{C}\sim+85^{\circ}\text{C}$	
Storage Temperature	$-40^{\circ}\text{C}\sim+85^{\circ}\text{C}$	$-40^{\circ}\text{C}\sim+85^{\circ}\text{C}$	$-40^{\circ}\text{C}\sim+85^{\circ}\text{C}$	$-40^{\circ}\text{C}\sim+85^{\circ}\text{C}$	



Bundle Pigtail
Features:

T-FOPT002

Connect with Outside Cables and Trays Inside Racks
Small Factor Design Minimizes Storage Space Choice for 4 cores,8 cores,12 cores and Multi cores Comply with Telcordia GR-326-CORE,ICE Standard



Ribbon Pigtail
Features:

T-FOPT003

Connect with Outside Cables and Trays Inside Racks
Small Factor Design Minimizes Storage Space Choice for 4 cores,8 cores,12 cores and Multi cores Comply with Telcordia GR-326-CORE,ICE Standard



Waterproof Pigtail
Features:

T-FOPT004

Stranded Non-metallic Strength Member Structure Ensure the Cable Endure Larger Tensile Strength Anti-corrosion, Anti-water ,and Anti-ultraviolet Radiation etc., Choice for Simplex,Duplex,4 cores,6 cores and multi cores, Comply with Telcordia GR-326-CORE,ICE Standard



T-FA001 SC Fiber Adaptor



T-FA002 LC Fiber Adaptor



T-FA003 FC Fiber Adaptor



T-FA004 ST Fiber Adaptor



T-FA005 MU,MPO,E2000 Fiber Adaptor

T-FA008 MU,MPO,E2000 Fiber Adaptor

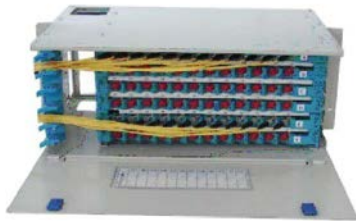


T-FA006 Fast Assembly Optical Connector

T-FA007 Optical Fiber Cool Connection Element

Features
Based on Leading Optical Fiber Mechanical Splicing Technology Various Single Mode and MultiMode Optical Fiber Splicing, 250um and 900um Random Combination, Low Insertion Loss and High Return Loss. Possess Good Thermal Stability and Splice Property Which is Equal to Melting Connection. Suitable for Various splicing Environments ,Simple in Operation, Need No Power

Fiber Optic Patch Panels



T-FP001

96 Core F/O Patch Panel
Item No
T-FP001-FC
T-FP001-SC

Description
With 96 Pcs FC Adaptor
With 96 Pcs FC Adaptor



T-FP002

19 Core F/O Patch Panel
Item No
T-FP002A-FC
T-FP002A-SC
T-FP002B-FC
T-FP002B-SC
T-FP002C-FC
T-FP002C-SC

Description
24 Core (With Panel For 24 Pcs FC Adaptor)
24 Core (With Panel For 24 Pcs SC Adaptor)
48 Core (With Panel For 48 Pcs FC Adaptor)
48 Core (With Panel For 48 Pcs SC Adaptor)
96 Core (With Panel For 96 Pcs FC Adaptor)
96 Core (With Panel For 96 Pcs SC Adaptor)



T-FP006

12C (24C) Fiber Optical Box
(Wall-Mount Type)
Item No
T-FP006A-ST
T-FP006A-FC (SC)
T-FP006A-D-SC
T-FP006B-ST
T-FP006B-FC (SC)
T-FP006B-D-ST

Description
12C (With Panel for 12 Pcs ST Adaptor)
12C (With Panel For 12 Pcs FC(SC) Adaptor)
12C (With Panel For 6 Pcs Duplex Adaptor)
24C (With Panel for 24 Pcs ST Adaptor)
24C (With Panel For 24 Pcs FC(SC) Adaptor)
24C (With Panel For 12 Pcs Duplex Adaptor)



T-FP007

24 Cores F/O Patch Panel
Item No
T-FP007A
T-FP007B
T-FP007C
T-FP007D

Description
With Panel for 24 pcs ST Adaptor
With Panel for 24 pcs FC Adaptor
With Panel for 24 pcs SC Adaptor
With Panel for 12 pcs Duplex SC Adaptor



T-FP008

24 Cores F/O Patch Panel
Item No
T-FP008A
T-FP008B
T-FP008C
T-FP008D

Description
With Panel for 24 pcs ST Adaptor
With Panel for 24 pcs FC Adaptor
With Panel for 24 pcs SC Adaptor
With Panel for 12 pcs Duplex SC Adaptor



T-FP009

24 Cores F/O Patch Panel
Item No
T-FP009A
T-FP009B
T-FP009C
T-FP009D

Description
With Panel for 24 pcs ST Adaptor
With Panel for 24 pcs FC Adaptor
With Panel for 24 pcs SC Adaptor
With Panel for 12 pcs Duplex SC Adaptor

**Professional Data Rack Cabinet
Product Brief**

DESCRIPTION

The TERA® floor standing cabinets have been designed to match the most demanding quality requirements available on the market.

TERA® product line foresees the following specifications and features:

- 8 heights: 24, 27, 32, 36, 38, 40, 42, 45 Units *
- 4 depths: 450, 600, 800 and 1,000 mm
- 2 widths: 600 and 800 mm
- Manufactured with dismantable heavy duty steel frame skeleton construction
- Quick installation and easy access to interior (back and side access)
- Right/Left handed Metallic Vented door**, with security lock
- Very strong construction (load rated to 800 kg)
- Can accommodate all 19" equipment and major servers on the market
- Natural ventilation provided by top and bottom ventilation patterns
- Roof mount fantray provides optional forced ventilation.

The racks may be easily equipped with additional accessories – i.e. with panels for additional equipment, FO splice boxes, power supply panels, lighting devices, ventilation panels, cable guides etc. (see page 50).

* Other configurations available upon request.

** Steel door available upon request for all models.

Features

- Exquisite design with precise craftsmanship
- Welded steel frame for front and back, can be flat packing, Easy to transfer
- High-Density vented front and rear door with hexagonal holes: can turn over 180 degree
- Removable side panel with latch, easy to install, optional lock
- Adjustable feet and castors are available simultaneously
- Cable entry on the top, adjustable cable entrance at the bottom
- Advanced handle locks for front door, optional other lock
- S-shaped mounting profile, free to move forward and back
- Efficient baying kit of cabinet, earthing kit
- Optional plinth to fix cabinet on roof, under base cable entry
- Various optional Accessories for common using
- Unassembled packing, about 2/5 of original volume, save container space



ND RACK CABINET

Standard configuration

- Comply with ANS/EIA RS-310-D, IEC297-2, DIN41491, PART1: Part 1 & 7, ETSI Standards
- Material: SPCC quality cold rolled steel | • Thickness: Mounting profile 2.0mm, Mounting angle 1.5mm, other 1.2mm
- Loading Capacity: Static loading 800 kg (on the adjustable feet)
- Degree of protection: IP20
- Surface finish: Degreasing, Pickling, Phosphating, Power Coated.
- glass door with lock
- steel side and back panels
- 2 carrier bars - 19"
- 4 horizontal mounting supports
- levelling feet
- roof for 4 fans

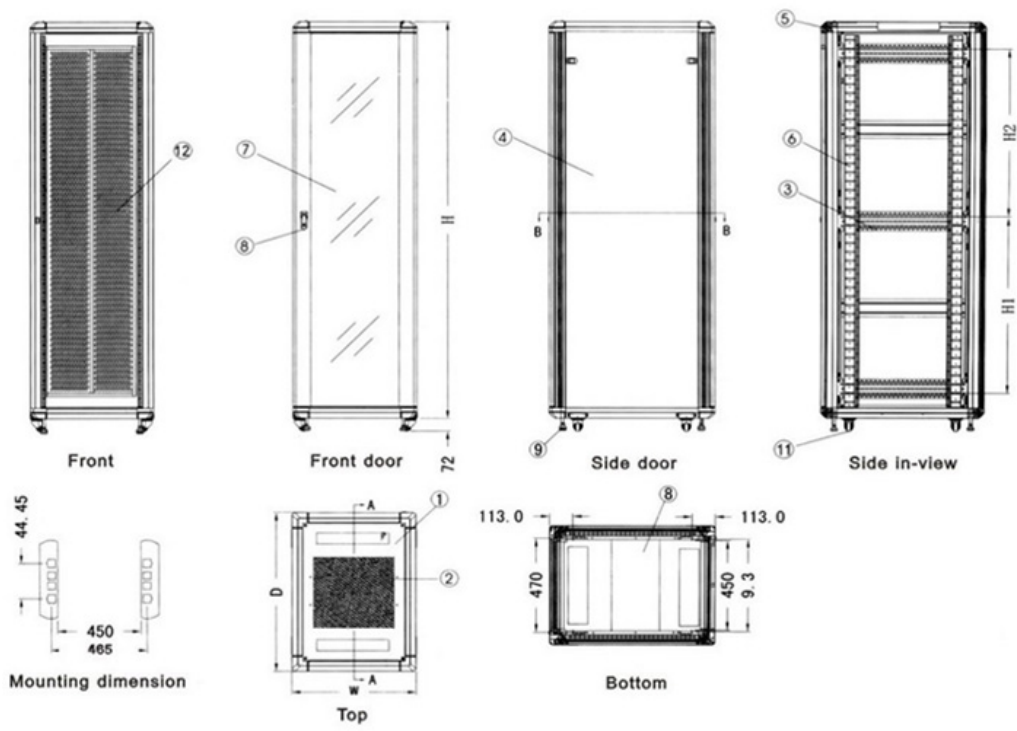
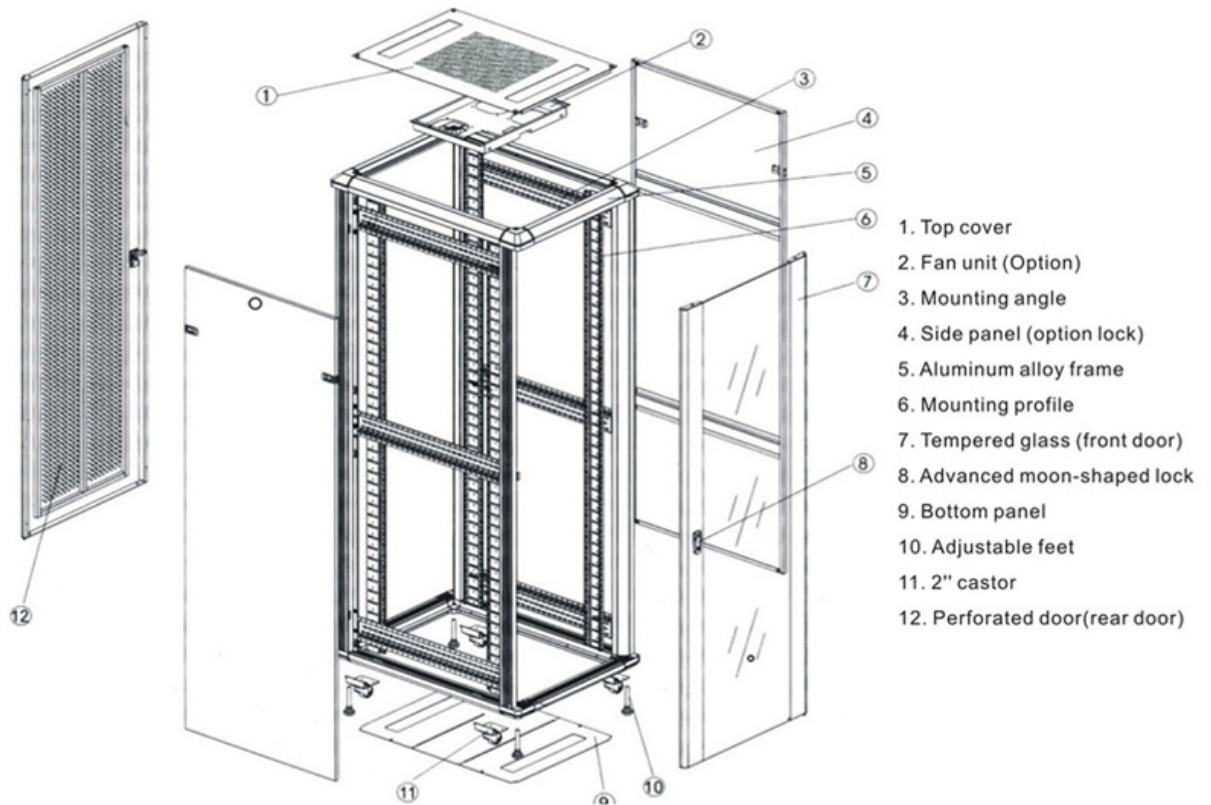


Specifications

- Frame: steel, dismountable
 Panels: 1.0 mm thick steel
 Max load: 800 kg
 Paint: powder coated
 Colour: RAL 7024 (Graphite Grey), other colors optionally
 Glass: 4.0 mm toughened glass
 Lock: three point locking
- glass door with lock
 - steel side and back panels
 - 2 carrier bars - 19"
 - 4 horizontal mounting supports
 - levelling feet
 - roof for 4 fans



Main Structure:



Ordering Information

Model No.	Capacity (U)	Width x Depth (mm)	Model No.	Capacity (U)	Width x Depth (mm)	Model No.	Capacity (U)	Width x Depth (mm)	Model No.	Capacity (U)	Width x Depth (mm)
ND6618	18	600 x 600	ND6637	37	600 x 600	ND8618	18	800 x 600	ND8637	37	600 x 600
ND6818		600 x 800	ND6837		600 x 800	ND8818		800 x 800	ND8837		800 x 800
ND6918		600 x 900	ND6937		600 x 900	ND8918		800 x 900	ND8937		800 x 900
ND6018		600 x 1000	ND6037		600 x 1000	ND8018		800 x 1000	ND8037		800 x 1000
ND6622	22	600 x 600	ND6642	42	600 x 600	ND8622	22	800 x 600	ND8642	42	800 x 600
ND6822		600 x 800	ND6842		600 x 800	ND8822		800 x 800	ND8842		800 x 800
ND6922		600 x 900	ND6042		600 x 1000	ND8922		800 x 900	ND8042		800 x 1000
ND6022		600 x 1000	ND6242		600 x 1200	ND8022		800 x 1000	ND8242		800 x 1200
ND6627	27	600 x 600	ND6645	45	600 x 600	ND8627	27	800 x 600	ND8645	45	800 x 600
ND6827		600 x 800	ND6845		600 x 800	ND8827		800 x 800	ND8845		800 x 800
ND6927		600 x 900	ND6045		600 x 1000	ND8927		800 x 900	ND8045		800 x 1000
ND6027		600 x 1000	ND6245		600 x 1200	ND8027		800 x 1000	ND8245		800 x 1200
ND6632	32	600 x 600	ND6647	47	600 x 600	ND8632	32	800 x 600	ND8647	47	800 x 600
ND2832		600 x 800	ND6847		600 x 800	ND8832		800 x 800	ND8847		800 x 800
ND6932		600 x 900	ND6047		600 x 1000	ND8932		800 x 900	ND8047		800 x 1000
ND6032		600 x 1000	ND6247		600 x 1200	ND8032		800 x 1000	ND8247		800 x 1200

WD, WS RACK CABINET

Fully Assembled Wall Mounted Cabinet

The Fully Assembled Wall Mounted Cabinet is a hot selling product on the market due to its superior quality and competitive price, and its pre-assembled in our factory it ready to use after delivery.

Advantage

1. The pre-assembled wall cabinet uses high-quality cold rolled steel to make its frame, and it can be fixed to walls conveniently since there are mounting holes at the back side.
2. Our wall mounted rack has a welded structure, so it is very sturdy and robust.
3. Lockable side panels and front door offer extra protection for expensive hardware and discourage unwanted access.
4. There are cable access holes on the top cover and bottom panel, and various optional accessories are available for this wall mount cabinet

Classification

Our fully assembled wall mounted cabinet contains two models which are WS1 and WD1, and these models differ from each other though they share the same advantages as illustrated above. For WS1 wall cabinet, its front and side doors can be opened, while for WD1 its front, rear and side doors are all openable for easy access to components inside.



WS1

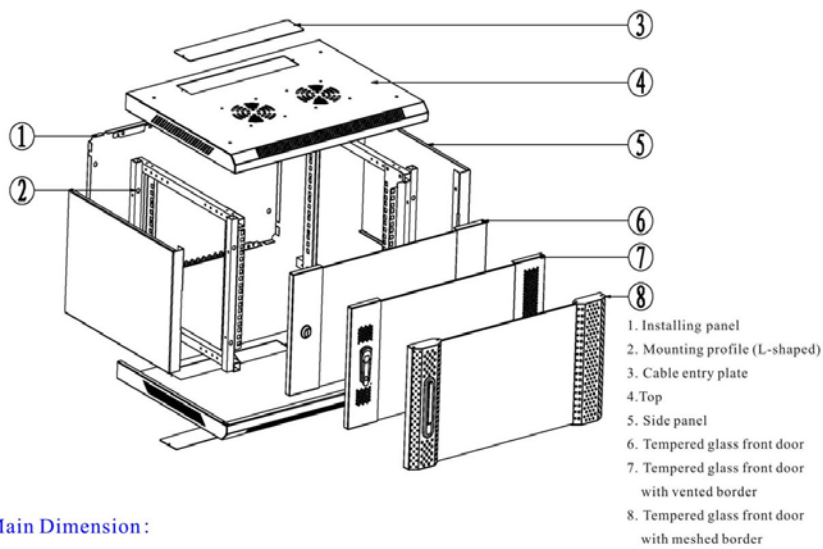


WD1

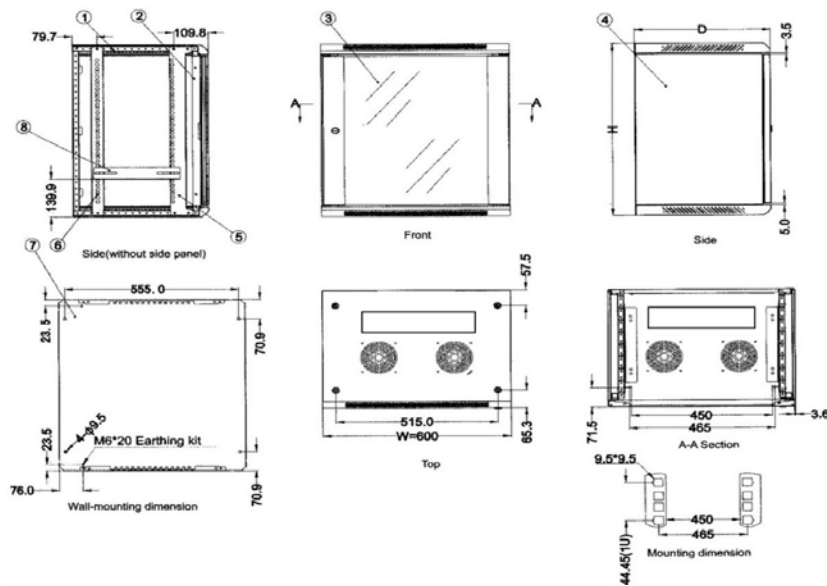
Technical Data

Standard	ANS/EIA RS-310-D, IEC 297-2, DIN 41491 Part 1, DIN 41491 Part 7, ETSI
Raw Material	Cold Rolled Steel (SPCC)
Steel Thickness	1.2mm
Static Load Rating	60kg
Protection Class	IP20
Surface Finish	Degreasing, Pickling, Parkerizing, Powder Coating
Height	4U-27U
Width	600mm
Depth	450-600mm

Main structure:

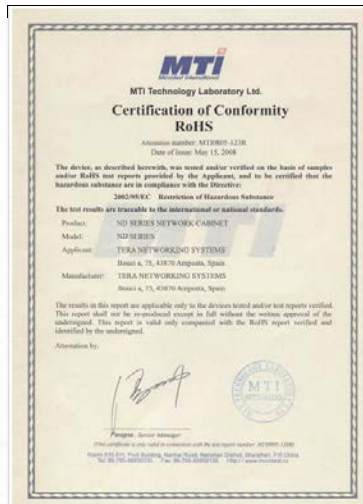


Main Dimension:



Ordering Information

Model No.	Capacity(U)	Width x Depth (mm)
WD1 Series		
WD1-6604	4	600 x600
WD1-6606	6	600 x600
WD1-6609	9	600 x600
WD1-6612	12	600 x600
WD1-6615	15	600 x600
WS1 Series		
WS1-6404	4	600 x450
WS1-6604		600 x600
WS1-6406	6	600 x450
WS1-6606		600 x600
WS1-6409	9	600 x450
WS1-6609		600 x600
WS1-6412	12	600 x450
WS1-6612		600 x600
WS1-6415	15	600 x450
WS1-6615		600 x600



© 2016 TERA, Inc. All rights reserved.

Visit our Web site at www.teracommunication.com or contact your local TERA representative or Business-Partner for more information. All trademarks identified by ® or ™ are registered trademarks or trademarks, respectively, of TERA.

This document is for planning purposes only and is not intended to modify or supplement any specifications or warranties relating to TERA products or services.